

# LEDXION S2090N & S2180N ECO FLOODLIGHT



LEDXION K10128 90W



LEDXION K10129 180W

## LUMINAIRE SPECIFICATIONS

• Power	90W 180W
• Fitting Material	Die-cast aluminium Non-corrosive
• Fitting Color	White Aluminium, Akzo Nobel RAL9006
• Optical Cover	95% Transparency Clear Tempered Glass
• Ingress Protection	IP66
• Impact Protection	IK08
• Voltage	220 ~ 240 Vac 50 / 60Hz
• Electrical Safety Class	Class I
• Operating Temperature	-30 ~ +45°C
• Installation	Bracket Mounting
• Surge Protections	10KV, 20KA

## LED MODULE SPECIFICATIONS

• Color Temperature	3000K Warm White 5000K Cool White
• Color Rendering Index (CRI)	>70 Cool White & Neutral White >80 Warm White
• L70	100,000 Hrs @ 25°C
• PCB Material	Ceramic (Alumina Substrate)
• PCB Trace	Silver Conductor (Ag)
• SMD Connector	WAGO 2060 Series

## OPTIONAL FEATURES

- Driver : Constant Current, 1-10V Dimming
- Optics : Wide Beam, MB51, NB19

## COMPLIANCE STANDARD

• LED	LM 80
• Driver	CE, EN55015, EN61000, EN61547
• Luminaire	EN60598-1, EN60598-2-5, EN62471, EN62493, EN61000-3-2, EN61000-3-3, EN61547, EN55015

## APPLICATION

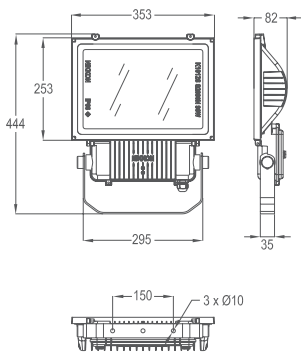
- Historical Buildings, Praying Halls, Theatres, Museums, Passageways, Corridors Areas & Exhibition Halls



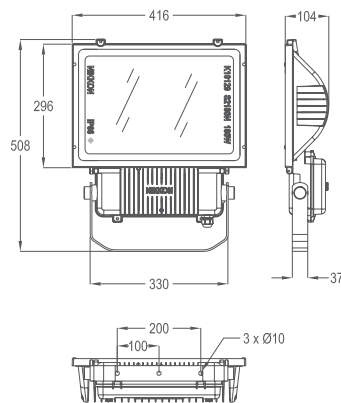


## MEASUREMENT & ORDER CODE

LEDXION K10128 90W



LEDXION K10129 180W

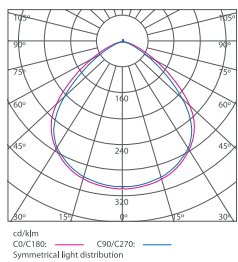


WATTAGE	ORDER CODE	CARTON DIMENSION (L x W x H) mm	NETT WEIGHT
90W	K10128 90W	500 x 405 x 126	5.0 kg
180W	K10129 180W	560 x 468 x 150	9.0 kg

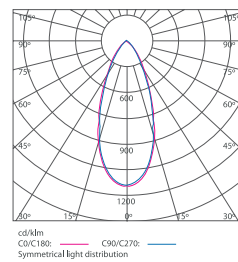
\* Please indicate LED color temperature and optic when ordering.

## PHOTOMETRIC

Wide Beam (90°)



Narrow Beam (51°)



WATTAGE	NO. OF LEDS	TYPICAL LUMINOUS FLUX @ 700 mA	TYPICAL WATTAGE
90W	44	10800	98
180W	88	21400	194

\* All result tested base on 5000K CCT LEDs.

# OMEGA I-DRIVE FLOODLIGHT



## LUMINAIRE SPECIFICATIONS

• Power	100W
• Fitting Material	Die-cast aluminium Non-corrosive
• Fitting Color	White Aluminium, Akzo Nobel RAL9006
• Optical Cover	Anti Glare High Transparency Tempered Glass
• Ingress Protection	IP66
• Impact Protection	IK08
• Voltage	220 ~ 240 Vac 50 / 60Hz
• Electrical Safety Class	Class I
• Operating Temperature	-30 ~ +40°C
• Installation	Mounting Bracket
• Surge Protections	10KV, 20KA

## LED MODULE SPECIFICATIONS

• Color Temperature	3000K Warm White 5700K Day Light
• Color Rendering Index (CRI)	>70 Cool White >80 Warm White
• L70	50,000 Hrs @ 25°C
• PCB Material	Ceramic (Alumina Substrate)
• PCB Trace	Silver Conductor (Ag)
• SMD Connector	WAGO 2060 Series

## FEATURES

- Built-In Driver
- Direct AC supply connection (220 ~ 240 Vac 50 / 60Hz)
- No external driver required
- High system efficiency
- Mid Power LEDs

## COMPLIANCE STANDARD

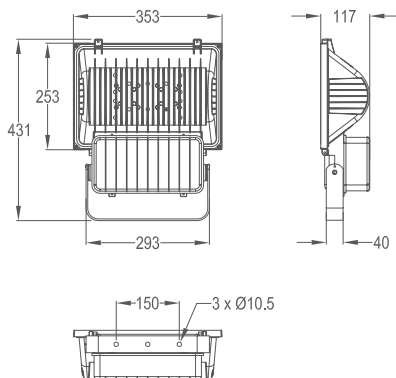
• LED	LM 80
• Luminaire	IEC60529

## APPLICATION

- Historical Buildings, Churches, Theatres, Passage Ways, Corridors & Exhibition Halls



## MEASUREMENT & ORDER CODE

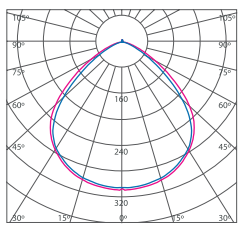


WATTAGE	ORDER CODE	CARTON DIMENSION (L x W x H) mm	NETT WEIGHT
100W	K10120 100W	420 x 400 x 170	4.3 kg

\* Please indicate LED color temperature when ordering.

## PHOTOMETRIC

90° Wide Beam Angle (WB)



cd/klm  
C0/C180: C90/C270:  $\eta = 73\%$   
Symmetrical light distribution

WATTAGE	NO. OF LEDS	TYPICAL LUMINOUS FLUX @ 700 mA	TYPICAL WATTAGE
100W	72	8000	98

\* All result tested base on 5700K CCT LEDs.