

LEDXION S431 STREET LANTERN



S431 17W



S431 30W



S431 25W



S431 25W EA Wide Angle

LUMINAIRE SPECIFICATIONS

• Power	17W 25W 30W 25W EA Wide Angle
• Fitting Material	Die-cast aluminium Non-corrosive
• Fitting Color	Dark Gray, Akzo Nobel RAL7043
• Optical Cover	PC bowl & Tempered Glass
• Ingress Protection	IP66
• Impact Protection	IK08
• Voltage	220 ~ 240 Vac 50 / 60Hz
• Electrical Safety Class	Class I
• Operating Temperature	-30 ~ +45°C
• Installation	Ø42mm Side Entry
• Surge Protections	10KV, 20KA

LED MODULE SPECIFICATIONS

• Color Temperature	3000K Warm White 4000K Neutral White 5300K Cool White
• Color Rendering Index (CRI)	>70 Cool White & Neutral White >80 Warm White
• L70	100,000 Hrs @ 25°C
• PCB Material	Ceramic (Alumina Substrate)
• PCB Trace	Silver Conductor (Ag)
• SMD Connector	WAGO 2060 Series

OPTIONAL FEATURES

- Driver : Constant Current, 1-10V Dimming

COMPLIANCE STANDARD

• LED	LM 80
• Driver	EN55015, EN61000, EN61547
• Luminaire	LM 79, EN60598-1, EN60598-2-3, EN62471, EN62493, EN61000-3, EN61547

APPLICATION

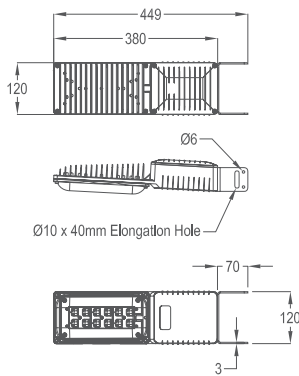
- Walkways, Common Areas, Public Venue Lighting, Parks, Parking & Residential Areas



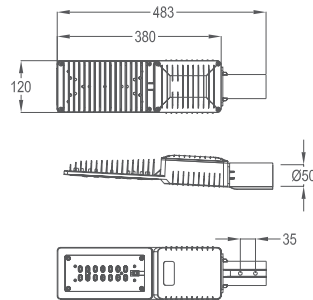


MEASUREMENT & ORDER CODE

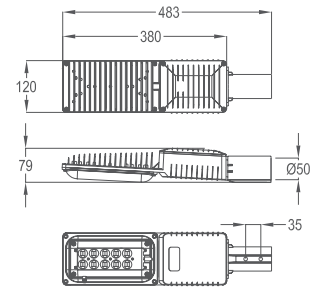
LEDXION K09124 17W



LEDXION K09124 25 / 30W



LEDXION K09124 25W EA

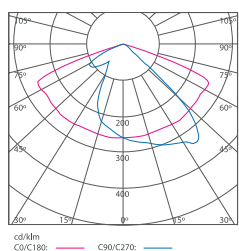


WATTAGE	ORDER CODE	CARTON DIMENSION (L x W x H) mm	NETT WEIGHT
17W	K09124 17W		3.5 kg
25W	K09124 25W	Inner : 484 x 135 x 108 Outer : 690 x 520x 135 * 5 pcs per carton	3.5 kg
30W	K09124 30W		3.5 kg
25W EA	K09124 25W EA		3.5 kg

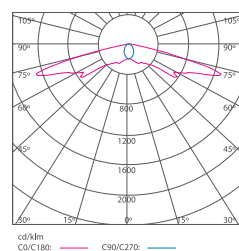
* Please indicate LED color temperature when ordering.

PHOTOMETRIC

K09124 17W / 25W / 30W



LEDXION K09124 25W EA



WATTAGE	NO. OF LEDS	TYPICAL LUMINOUS FLUX @ 700 mA	TYPICAL WATTAGE
17W	8	1870 lm	20
25W	12	2789 lm	28
30W	14	3220 lm	33
25W EA	12	2900 lm	28

* All result tested base on 5300K CCT LEDs.

Note: All specifications are subject to change without prior notice for product improvement. Images, pictures, and illustrations used are for illustrative purposes only and the color printed in the brochure may differ from the actual product.