



LUMINAIRE SPECIFICATIONS

• Power	195W 235W 255W
• Fitting Material	Die-cast aluminium Non-corrosive
• Fitting Color	Akzo Nobel Dark Gray with Silver Sand Grain
• Optical Cover	95% Transparency Tempered Glass
• Ingress Protection	IP66
• Impact Protection	IK08
• Voltage	220 ~ 240 Vac 50 / 60Hz
• Electrical Safety Class	Class I
• Operating Temperature	-30 ~ +45°C
• Installation	Ø60mm Side Entry / Post Top
• Surge Protections	10KV, 20KA

LED MODULE SPECIFICATIONS

• Color Temperature	3000K Warm White 4000K Neutral White 5000K Cool White
• Color Rendering Index (CRI)	>70 Cool White & Neutral White >80 Warm White
• L70	100,000 Hrs @ 25°C
• PCB Material	Ceramic (Alumina Substrate)
• PCB Trace	Silver Conductor (Ag)
• SMD Connector	WAGO 2060 Series

OPTIONAL FEATURES

- Driver : Constant Current, Time Control, 1-10V Dimming, DALI, Full programmable
- Control : Intelligent Light Control System, GPS
- Sensor : Mini Photocell, NEMA Photocell
- Optics : Type I, Type II, Type III & Type IV lens
- Installation : Mounting Bracket

COMPLIANCE STANDARD

- | | |
|----------|-------------------------------|
| • LED | LM 80 |
| • Driver | CE, EN55015, EN61000, EN61547 |

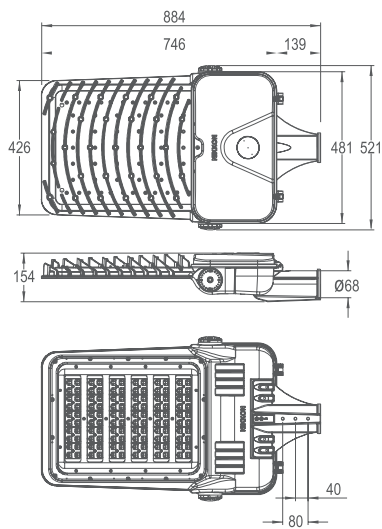
APPLICATION

- Pathways, Parks, Foot Paths & Access Ways

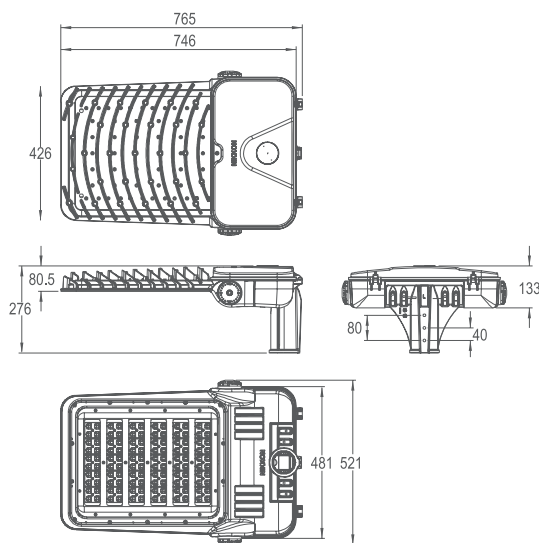


DIMENSION

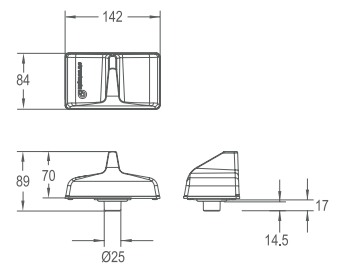
Side Entry



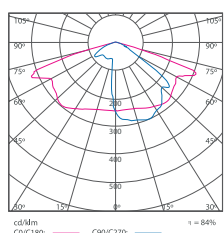
Pole Stop



Light Control Unit



PHOTOMETRIC



WATTAGE	NO. OF LEDS	TYPICAL LUMINOUS FLUX @ 700 mA	TYPICAL WATTAGE
195W	92	22150	208
235W	112	26620	250
255W	120	28750	270

* All result tested base on 5300K CCT LEDs.

MEASUREMENT & ORDER CODE

WATTAGE	ORDER CODE	CARTON DIMENSION (L x W x H) mm	NETT WEIGHT
195W	S466 195W	865 x 526 x 254	18 kg
235W	S466 235W	865 x 526 x 254	18 kg
255W	S466 255W	865 x 526 x 254	18 kg

* Please indicate LED color temperature when ordering.
* Programmable dimming LED driver is available upon request.