

# SPECIFICATION — DOVE

## APPLICATION

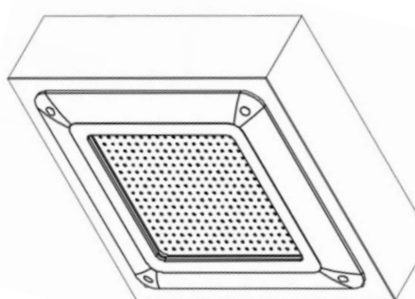
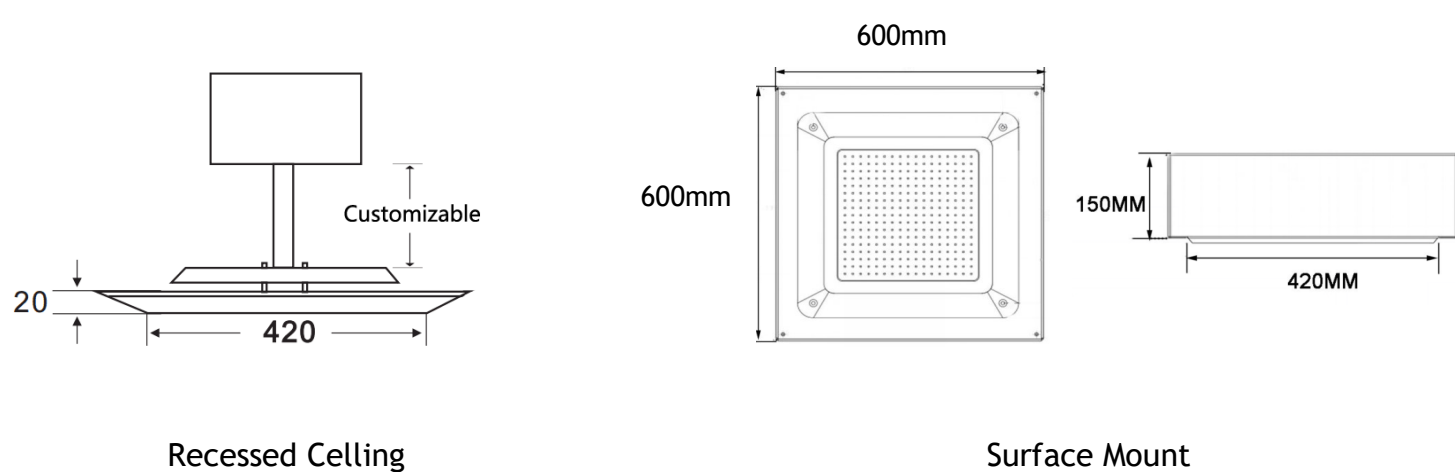
It is ideal for gas station, warehouses and any other canopy lighting applications.

## PARAMETERS

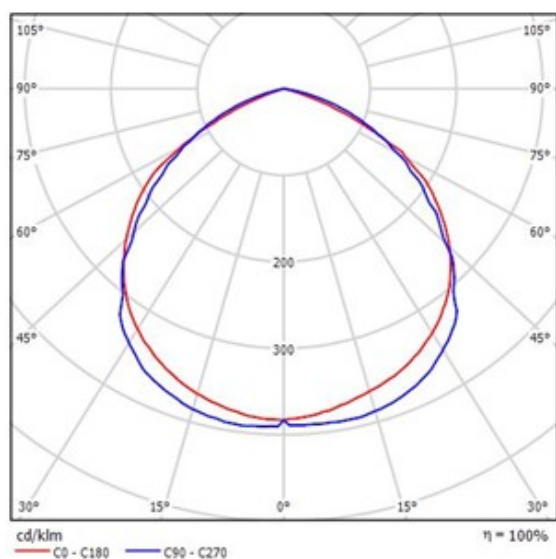
### • Physical & Performance

Chip	Lumileds	Housing and Body	Aluminum Alloy
Protection class	IP65	Weight	6-10KG
Single color	2700-6500K	System power	75-200W
CRI	Ra70-80	Lumen efficiency	130+ LM/W
Power factor	0.9	LED numbers	100-300 pcs
Lifetime	More than 30000 hrs	Operating environment	-20°C~+40 °C, 10%~90%RH
Storage environment	-40°C~+50 °C	Package Size	550*550*90mm
Supply voltage	AC100~277V	Surge voltage	10KV AC

## DIMENSIONS



## DISTRIBUTION



Power (W)	Luminous Flux (LM)
75	9750
100	13000
120	15600
150	19500
180	23400
200	26000

## ORDERING INFORMATION

Product Family	Power	LED Chips	CCT	Installation	Color
NKD=Nikkon Dove	75=75W	L=Lumileds	27=2700K	R=Recessed S=Surface Mount	SL=Silvery BK=Black
	100=100W		30=3000K		
	120=120W		40=4000K		
	150=150W		50=5000K		
	180=180W		57=5700K		
	200=200W		65=6500K		

Chips Powered by

**PHILIPS**  
**LUMILEDS**

Driver Powered by

