

SPECIFICATION — Hawk

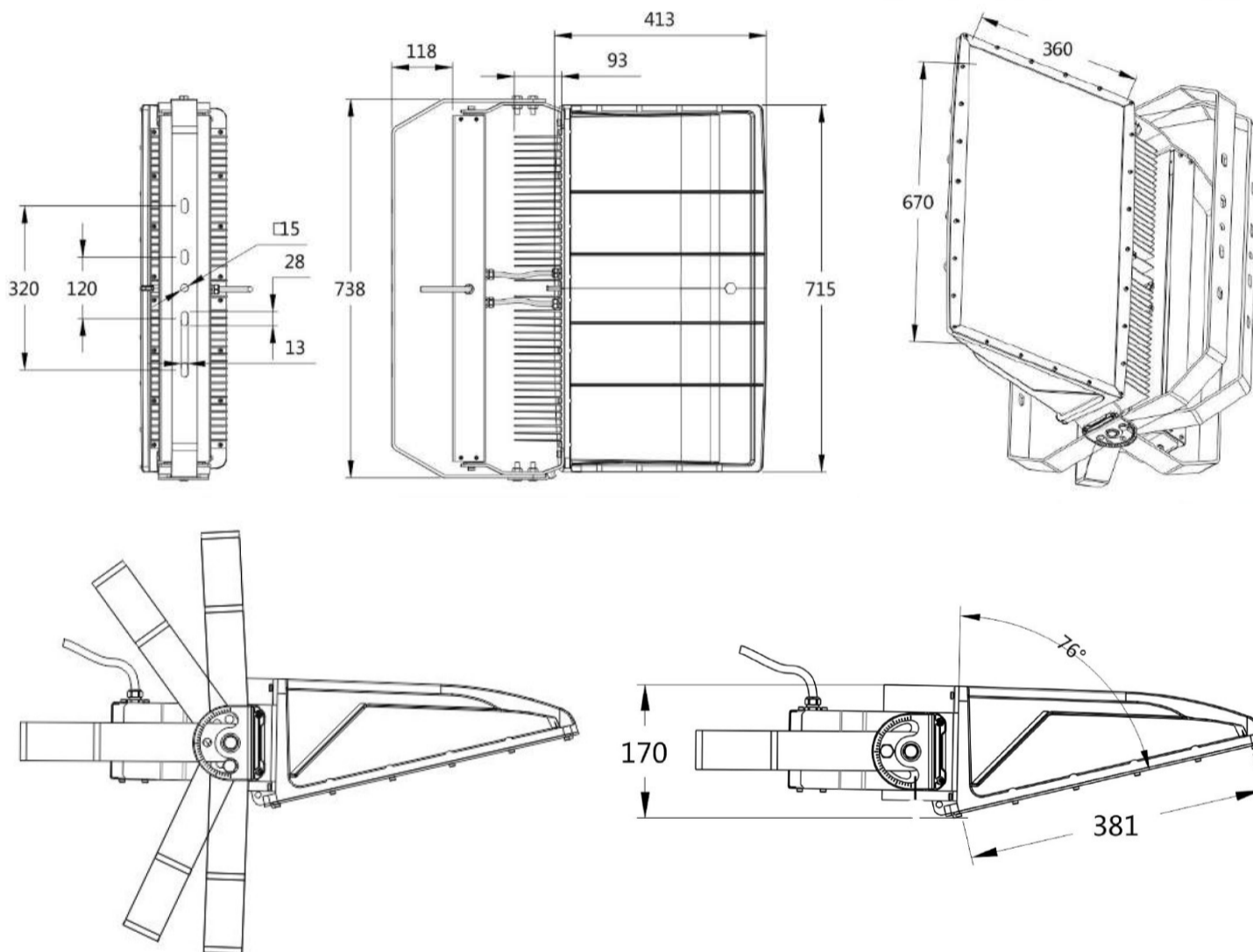
APPLICATION

It is ideal for all High mast, Sport field, Tennis Court, Airport, Wall wash, Race track and other applications.

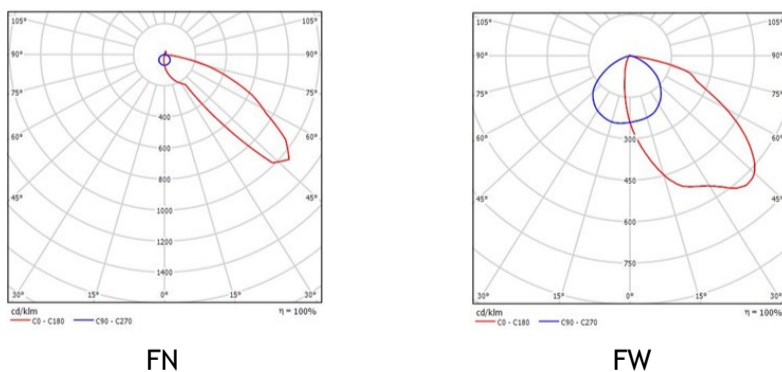
PARAMETERS

LED Chip	Nichia or Lumileds	Housing and Body	Aluminum Alloy
Protection class	IP66 (LED Housing)	Protection class	IP67 (Meanwell Driver)
Single color	3000K,4000K,5000K,6000K	System power	300-800W
CRI	Ra80	Power efficiency	91%
Lumen efficiency	130 lm/w @ 5000K	LED numbers	1200pcs max
Lifetime	More than 50000 hrs	Operating environment	-40°C~+50 °C, 10%~90%RH
Storage environment	-40°C~+50 °C	Weight **	27 ~ 32 KG
Supply voltage	AC90-305V or AC180-528V	Surge voltage	20KV

DIMENSIONS



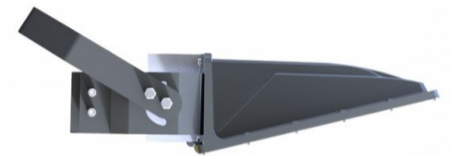
DISTRIBUTION



ORDERING INFORMATION

* Wired front cover guard available on special request

Product Family	Power	Phase	Chips	CCT	Distribution	Color
HWK=Nikkon Hawk	300=300W 400=400W 500=500W 600=600W 800=800W	1P=Single Phase (240VAC) - HLG 3P=3 Phase (415VAC) - HVG	N=Nichia L=Lumileds	30=3000K 40=4000K 50=5000K 60=6000K	FN=Front Narrow FW=Front Wide	SL=Silvery BK=Black DG=Dark Grey



300W & 400W LUMILEDS:



HLG Series
HVG Series
ELG Series

PARAMETERS

System Power (W)	CCT (K)	Nichia LED Chip		Lumileds LED Chip		**N.W (KG)
		Luminous Efficacy (lm/W)	Luminous Flux (lm)	Luminous Efficacy (lm/W)	Luminous Flux (lm)	
300	5000	130	39000	125	37500	27.0
400	5000	130	52000	125	50000	28.0
500	5000	130	65000	125	62500	29.0
600	5000	130	78000	125	75000	29.5
800	5000	130	104000	125	100000	32.0

SIMULATION REFERENCE

Soccer Field	Layout: 4 poles Height: 12m Luminaires: 12*800W FN AVG Lux: 102 lux U1 : 0.5 U2 : 0.3		
Tennis Court	Single Court Layout: 4 poles Height: 8m Luminaires: 4*600W FN AVG Lux: 490 lux U1 : 0.66 U2 : 0.51 <i>*Illuminance on Principal Playing</i>		
	Twin Court Layout: 4 poles Height: 8m Luminaires: 4*600W FN 4*600W FW AVG Lux: 368 lux U1 : 0.6 U2 : 0.44 <i>*Illuminance on Principal Playing</i>		
Bowling Green	Layout: 4 poles Height: 10m Luminaires: 4*600W FN AVG Lux: 102 lux U1 : 0.6 U2 : 0.43		

**NOTE: The simulations are for reference only. For actual project simulation calculations and more sports applications, please contact our local representatives.