

SPECIFICATION — Panno Lite

APPLICATION

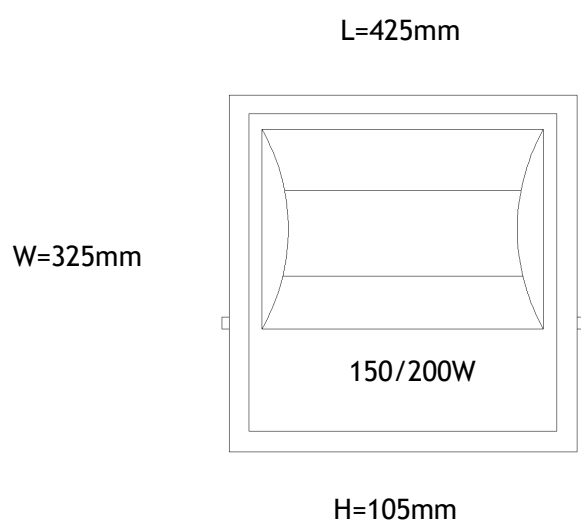
It is ideal for warehouses, crossroads, sports fields, stadiums and any other flood lighting.

PARAMETERS

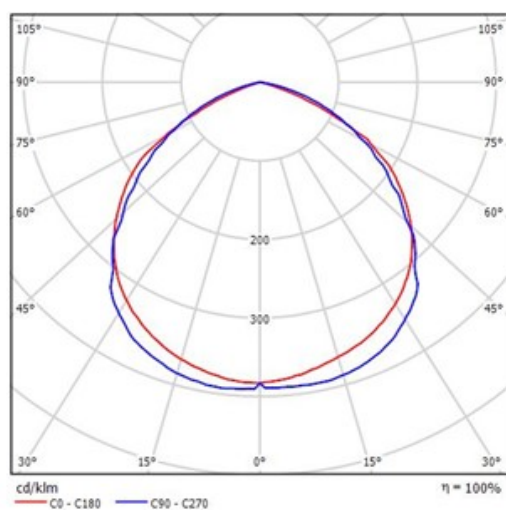
• Physical & Performance

Chip	Lumileds 3030	Housing and Body	Aluminum Alloy
Protection class	IP65	Weight	3.8/4.3KG
Color Temperature	4000K,5000K,5700K,6500K	System power	150/200W
CRI	Ra70-80	Power efficiency	89%
Power factor	0.95	LED numbers	150/200 pcs
Lifetime	More than 30000 hrs	Operating environment	-40°C~+50 °C, 10%~90%RH
Storage environment	-40°C~+50 °C	Junction Temperature	Less than 80 °C
Supply voltage	AC 200-240V	Surge voltage	6.0KVAC

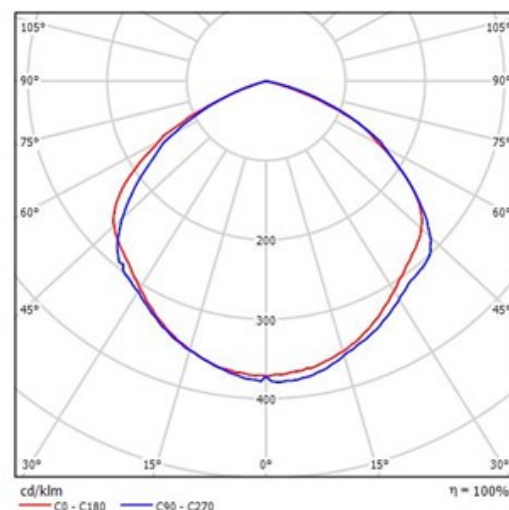
DIMENSIONS



DISTRIBUTION



150W@14500lm



200W@19000lm

ORDERING INFORMATION

Product Family	Power	LED Chips	CCT	Color
NPL=Nikkon Panno Lite	150=150W 200=200W	L=Lumileds	30=3000K 40=4000K 50=5000K 57=5700K	SL=Silvery BK=Black



Chips Powered by



Driver Powered by

