

# SPECIFICATION — Ro-Way Lite

## APPLICATION

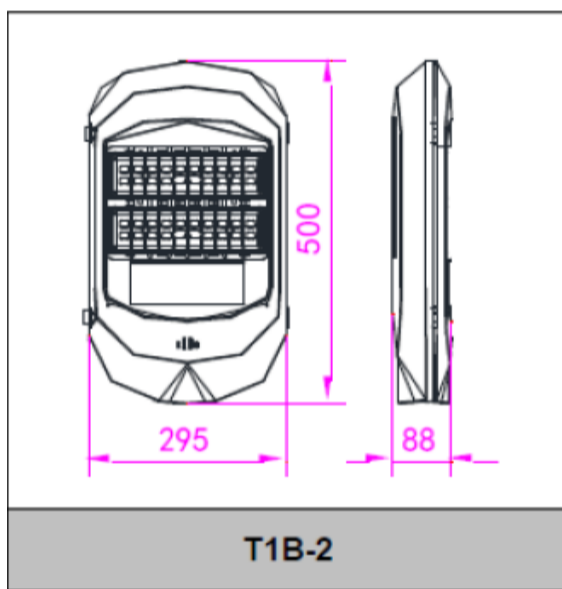
It is ideal for any roadway or street applications.

## PARAMETERS

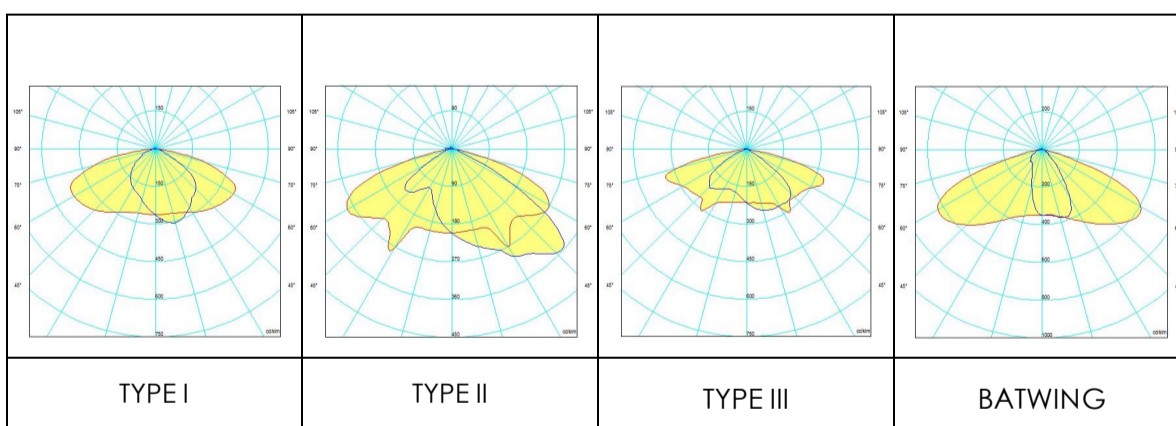
### • Physical & Performance

Chip	PHILIPS-LUMILEDS 3030 2D	Housing and Body	Aluminum Alloy
Protection class	IP68(LED Module) IP67 (supply power)	Installation Diameter	57-63mm
CCT	3000K,4000K,5000K,5700K	System power	80-120W
CRI	Ra80 (Ra70@4K CCT)	Lifetime	More than 50000 hrs
Junction Temperature	Less than 80 °C	Operating environment	-30°C~+50 °C, 10%~90%RH
Supply voltage	AC100~277V; 50/60Hz	Surge voltage	4KV

### • Dimension



### • Distribution



### • Ordering Information

Product Family	Module	Power	CCT	Distribution	Color
HT1B	2	80=80W 120=120W	30=3000K 40=4000K 50=5000K 57=5700K	T1=TYPE I T2=TYPE II T3=TYPE III BW=BATWING	SL=Silvery BK=Black



Chips Powered by

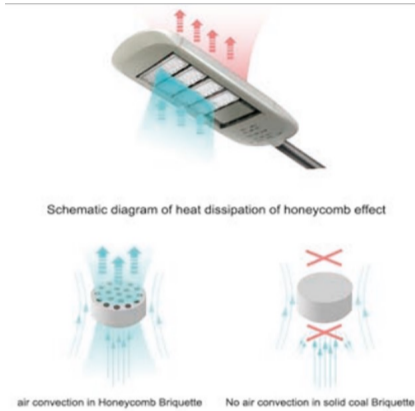
**PHILIPS**  
**LUMILEDS**

## PARAMETERS

Modules	System Power (w)	Lumen Per Watt (Ultra High)	Luminous Flux (lm)	Product Size (mm)
2	80	120	9600	295*500*88
2	120	110	13200	295*500*88

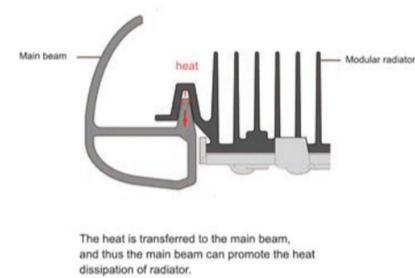
## FEATURES AND BENEFITS

### Honeycomb Briquette effect



It simulates and adopts the burning principle of honeycomb briquette; it is easy to transform the original block of radiator to various modules, as well as to enable air to convect and fully pass through the gaps between modules by utilizing the honeycomb effect, thus to remove the heat rapidly, and reduce temperature by around 20 °C.

### Heat dissipation of the whole structure



It is available to make clever use of module bracket that only play a supporting role, and to transform it to a "thermal bracket" that is capable of conducting the module's heat to the light shell as a structural part, thus to promote the cooling effect of radiator of cooling module, the design aims to fully utilize the surface area of structural parts to transfer heat to air.

### Tool-free maintenance



It uses special structural design to achieve the manual disassembly and installation of lighting components, in consideration that the high-power lights are generally installed in higher operating environment, the operators require as few tools as possible for their convenience and security.

