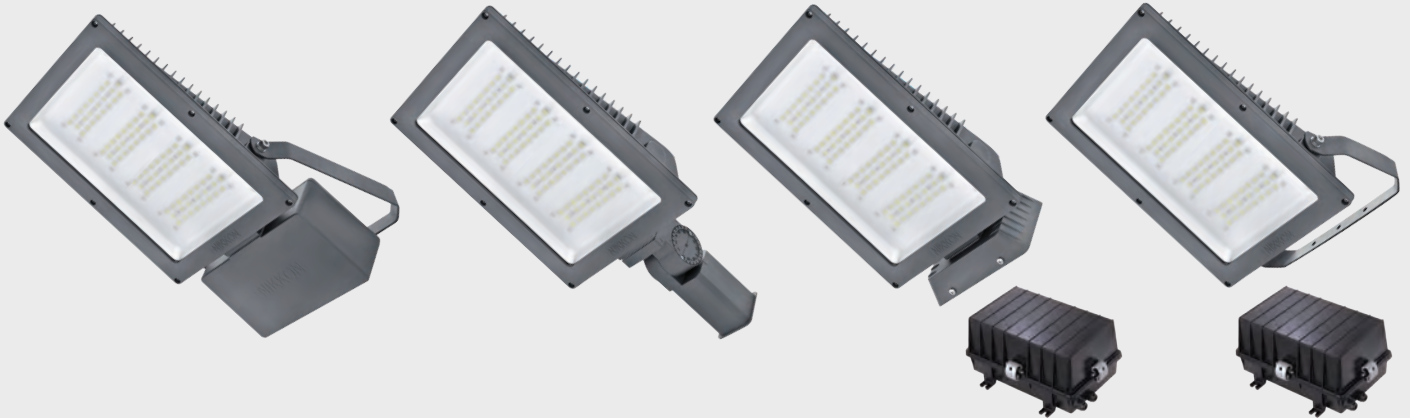


# LEDXION S2266 FLOODLIGHT



**Type 1 - Standard LED Floodlight with Built-In Control Gear Box**

**Type 2 - Tennis Court Lighting/ Pole Mounted / Street Lantern with External Driver**

**Type 3 - Wall Mounted LED Floodlight / Wall Light with External Control Gear**

**Type 4 - Light Weight / Mobile LED Floodlight Mounting Bracket with External Control Gear**

## LUMINAIRE SPECIFICATIONS

• Power	140W 185W 230W
• Fitting Material	Die-cast aluminium Non-corrosive
• Fitting Color	Dark Gray, Akzo Nobel RAL7012
• Optical Cover	Anti Glare High Transparency Frosted Tempered Glass
• Ingress Protection	IP66 (Lamp & Gear Compartments) IP65 (Control Gear) - for Type 3 & 4
• Impact Protection	IK08
• Voltage	220 ~ 240 Vac 50 / 60Hz
• Electrical Safety Class	Class I
• Operating Temperature	-30 ~ +45°C
• Installation	Mounting Bracket (Type 1 & 4) Pole Mounting (Type 2) Wall Mounting (Type 3)
• Surge Protections	10KV, 20KA
• Beam Angle	140° x 70° (WB) 51° (MB51) 19° (NB19)

## LED MODULE SPECIFICATIONS

• Color Temperature	3000K Warm White 4000K Neutral White 5300K Cool White
• Color Rendering Index (CRI)	>70 Cool White & Neutral White >80 Warm White
• L70	100,000 Hrs @ 25°C
• PCB Material	Ceramic (Alumina Substrate)
• PCB Trace	Silver Conductor (Ag)
• SMD Connector	WAGO 2060 Series

## OPTIONAL FEATURES

- Driver : Constant Current, 1-10V Dimming
- Optics : Wide Beam, MB51, NB19

## COMPLIANCE STANDARD

• LED	LM 80
• Driver	CE, EN55015, EN61000, EN61547
• Luminaire	LM 79, EN60598-1, EN60598-2-5, EN62471, EN62493, EN61000-3, EN61547, IEC62262

## APPLICATION

- Parking Areas, Facade & Stadium Lightings, Sport Lightings, Commercial & Residential Areas, & Jetties

## MEASUREMENT & ORDER CODE

TYPE	ORDER CODE	CARTON DIMENSION (L x W x H) mm	NETT WEIGHT
1	K10119 (Type 1)	730 x 390 x 165	15.8 kg
2	K10119 (Type 2)	760 x 410 x 185	11.0 kg
3	K10119 (Type 3)	590 x 399 x 176	10.6 kg + 5.6 kg (RCG)
4	K10119 (Type 4)	640 x 390 x 150	9.8 kg + 5.6 kg (RCG)

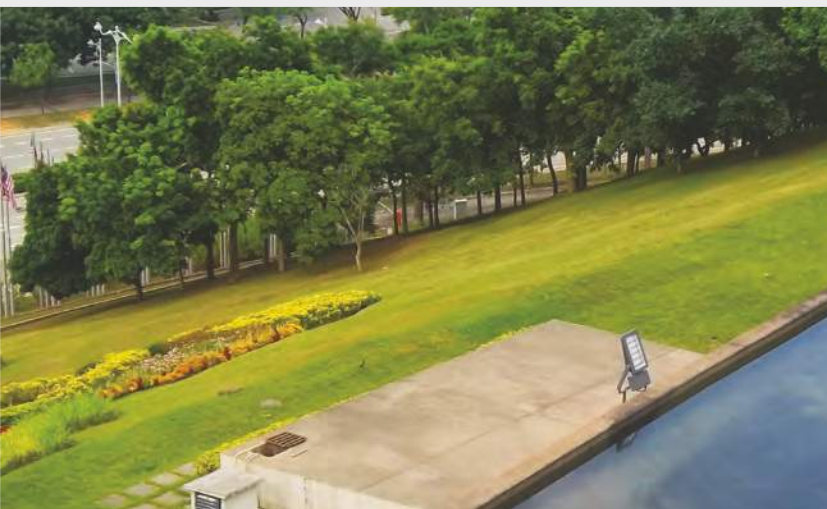
\* Please indicate LED color temperature and optic when ordering.  
\* Programmable dimming LED driver is available upon request.

## PHOTOMETRIC

WATTAGE	NO. OF LEDS	TYPICAL LUMINOUS FLUX @ 700 mA	TYPICAL WATTAGE
140W	66	14500	145
185W	88	20100	194
230W	110	24600	242

\* All result tested base on 5300K CCT LEDs.

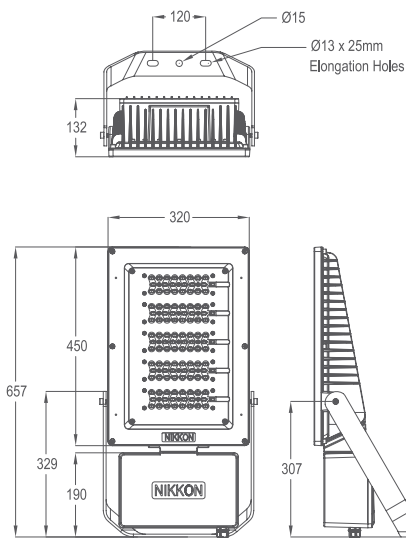




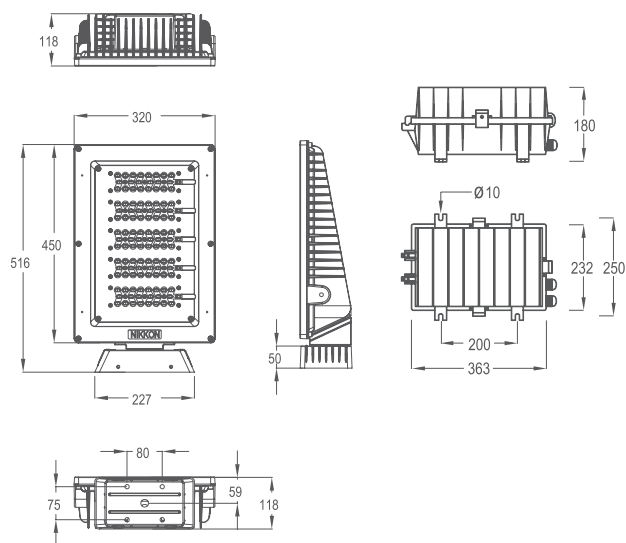
## DIMENSION

## PHOTOMETRIC

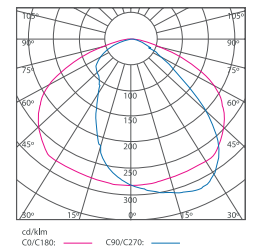
Type 1 - Standard LED FL



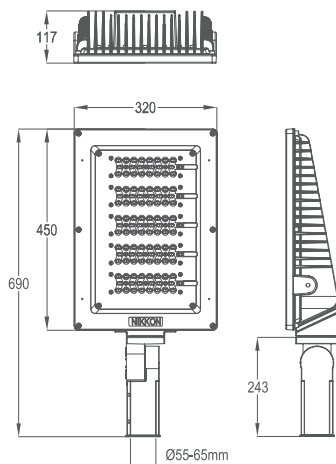
Type 3 - Wall Mounted LED FL



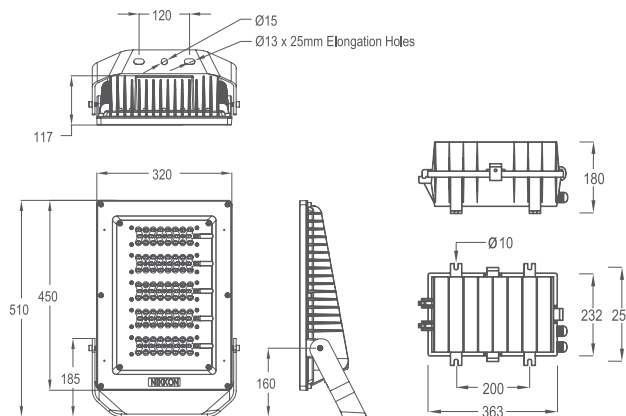
Floodlight (WB)



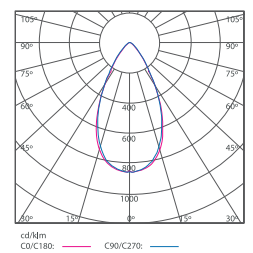
Type 2 - Pole Mounted LED FL



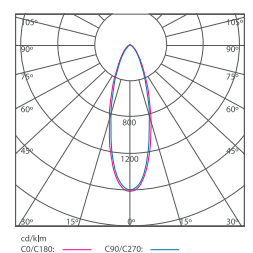
Type 4 - Mobile LED FL



Floodlight (MB51)



Spotlight (NB19)



Note: All specifications are subject to change without prior notice for product improvement. Images, pictures, and illustrations used are for illustrative purposes only and the color printed in the brochure may differ from the actual product.

# LEDXION S2266 SN FLOODLIGHT



Type 1 - Standard LED Floodlight  
with Built-In Control Gear Box

Type 4 - Light Weight / Mobile LED Floodlight  
Mounting Bracket with External Driver

## LUMINAIRE SPECIFICATIONS

• Power	125W 190W
• Fitting Material	Die-cast aluminium Non-corrosive
• Fitting Color	Dark Gray, Akzo Nobel RAL7012
• Optical Cover	95% Transparency Tempered Glass
• Ingress Protection	IP66 (Lamp & Gear Compartments) IP65 (Control Gear) - for Type 4
• Impact Protection	IK08
• Voltage	220 ~ 240 Vac 50 / 60Hz
• Electrical Safety Class	Class I
• Operating Temperature	-30 ~ +45°C
• Installation	Mounting Bracket
• Surge Protections	10KV, 20KA
• Beam Angle	11°

## LED MODULE SPECIFICATIONS

• Color Temperature	3000K Warm White 5700K Day Light
• Color Rendering Index (CRI)	>70 Day Light >80 Warm White
• L70	100,000 Hrs @ 25°C
• PCB Material	Ceramic (Alumina Substrate)
• PCB Trace	Silver Conductor (Ag)
• SMD Connector	WAGO 2060 Series

## COMPLIANCE STANDARD

• LED	LM 80
• Driver	CE, EN55015, EN61000, EN61547

## APPLICATION

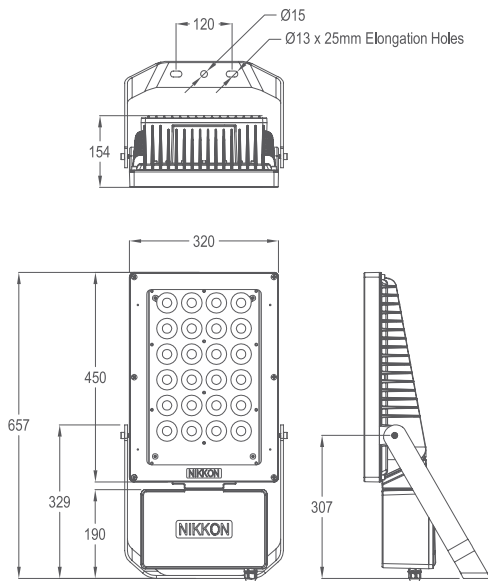
- Facade & Sport Lightings, Commercial Areas & Jetties



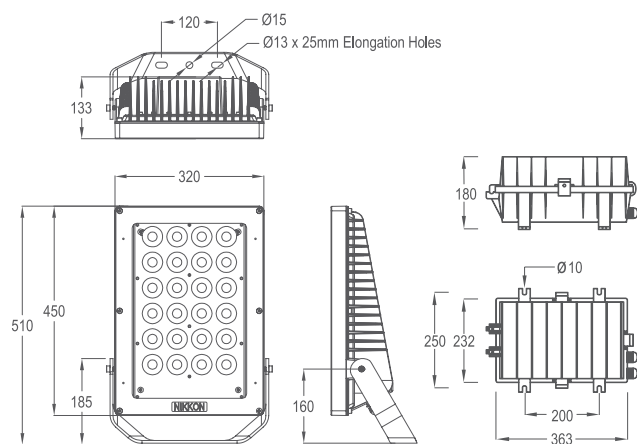


## MEASUREMENT & ORDER CODE

Type 1 - Standard LED FL



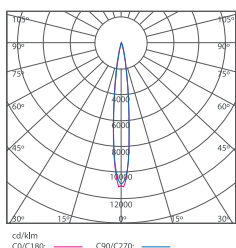
Type 4 - Mobile LED FL



WATTAGE	ORDER CODE	CARTON DIMENSION (L x W x H) mm	NETT WEIGHT
125W (Type 1)	K10119 SN 125W (Type 1)	730 x 390 x 180	16.7 kg
125W (Type 4)	K10119 SN 125W (Type 4)	640 x 390 x 165	13.5 kg
190W (Type 1)	K10119 SN 190W (Type 1)	730 x 390 x 180	17.7 kg
190W (Type 4)	K10119 SN 190W (Type 4)	640 x 390 x 165	14.5 kg

\* Please indicate LED color temperature when ordering.  
 \* RCG 4.7 kg (Type 4)  
 \* Programmable dimming LED driver is available upon request.

## PHOTOMETRIC



WATTAGE	NO. OF LEDS	TYPICAL LUMINOUS FLUX @ 700 mA	TYPICAL WATTAGE
125W	16	14500	140
190W	24	20500	211

\* All result tested base on 5300K CCT LEDs.

Note: All specifications are subject to change without prior notice for product improvement. Images, pictures, and illustrations used are for illustrative purposes only and the color printed in the brochure may differ from the actual product.

# LEDXION S2266 RGB FLOODLIGHT



## LUMINAIRE SPECIFICATIONS

• Power	110W
• Fitting Material	Die-cast aluminium Non-corrosive
• Fitting Color	Dark Gray, Akzo Nobel RAL7012
• Optical Cover	Anti Glare High Transparency Frosted Tempered Glass
• Ingress Protection	IP66
• Impact Protection	IK08
• Voltage	220 ~ 240 Vac 50 / 60Hz
• Electrical Safety Class	Class I
• Operating Temperature	-30 ~ +45°C
• Installation	Mounting Bracket
• Surge Protections	10KV, 20KA
• Beam Angle	19°

## LED MODULE SPECIFICATIONS

• Color Temperature	Red Blue Green
• L70	100,000 Hrs @ 25°C
• PCB Material	Ceramic (Alumina Substrate)
• PCB Trace	Silver Conductor (Ag)
• SMD Connector	WAGO 2060 Series

## DMX CONTROLLER

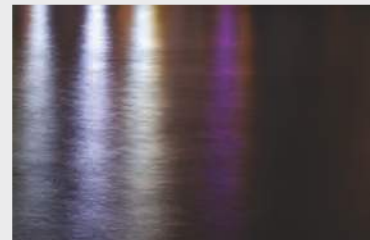
- 3 channels RGB color mixing LED controller
- Pre-saved 5 sequences RGB pattern
- Support speed & brightness adjust compatible with DMX-512 (1990) protocol

## COMPLIANCE STANDARD

- LED | LM 80

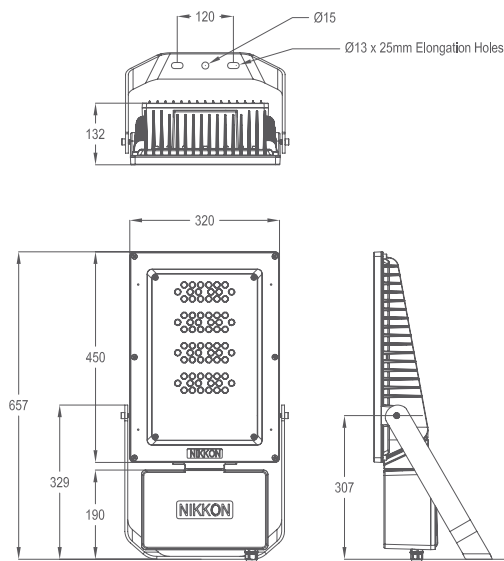
## APPLICATION

- Facade Lightings, Bridges, Facades, Commercial Areas, Multipurpose & Exhibition Halls

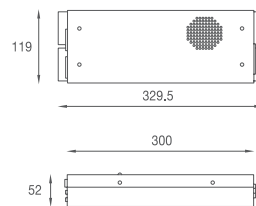


## MEASUREMENT & ORDER CODE

### RGB Floodlight



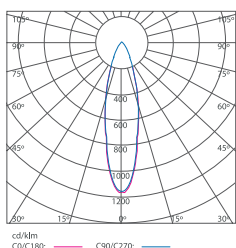
### DMX Controller



WATTAGE	ORDER CODE	CARTON DIMENSION (L x W x H) mm	NETT WEIGHT
110W	K10119 RGB 110W	730 x 390 x 165	14.7 kg

\* Please indicate LED color temperature when ordering.  
 \* Programmable dimming LED driver is available upon request.

## PHOTOMETRIC



WATTAGE	NO. OF LEDS	TYPICAL WATTAGE
110W	72	117

\* All result tested base on 5300K CCT LEDs.