

SPECIFICATION — Lite-Focus Vulcan

APPLICATION

It is ideal for Sport field, Car park, Perimeter lighting, Showroom, Warehouse and other applications.

PARAMETERS

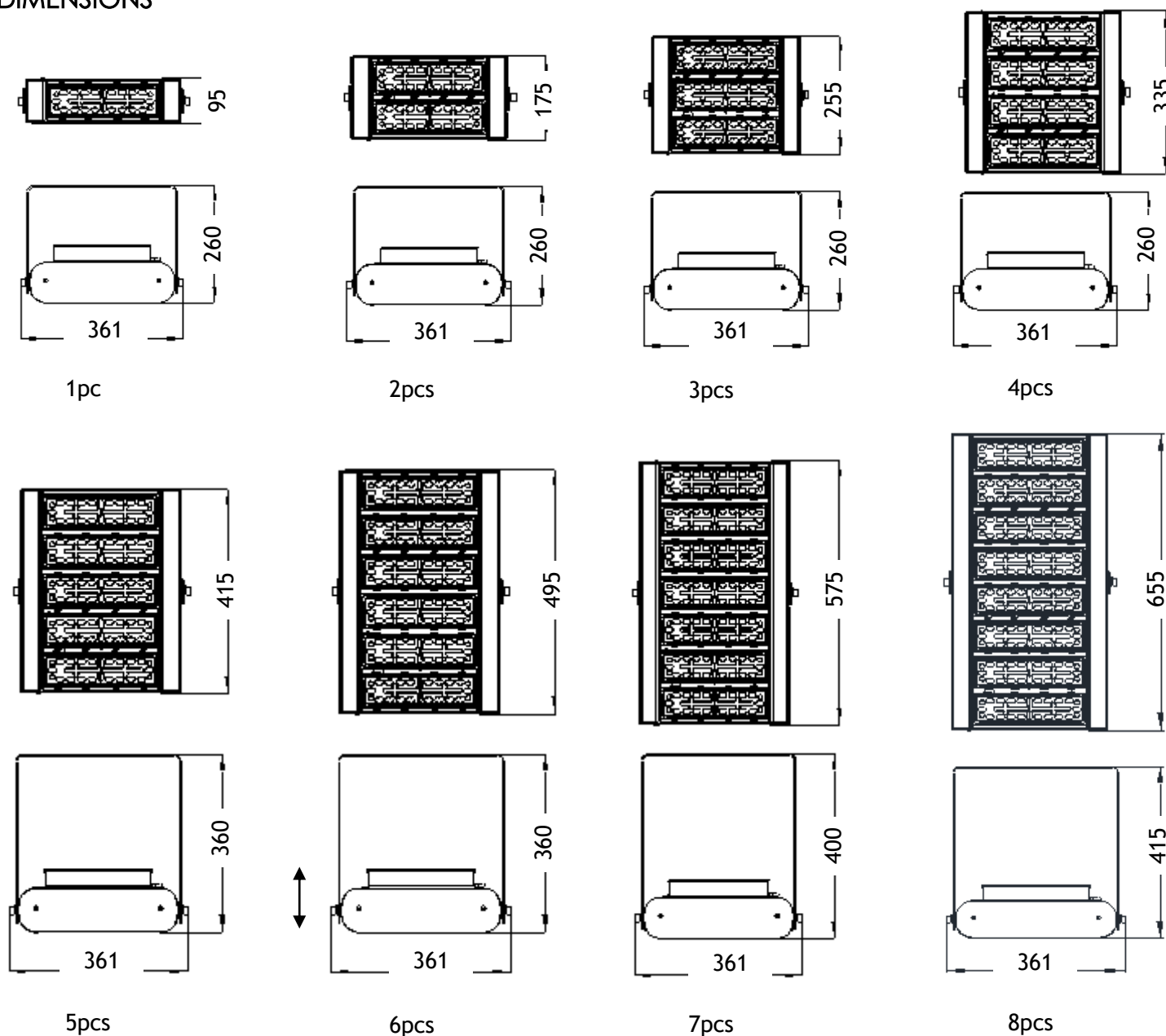
• Physical & Performance

Chip	Lumileds 5050	Housing and Body	Aluminum Alloy
Protection class	IP68 (LED Module)	Protection class	IP67 (supply power)
Single color	3000K,4000K,5000K,5700K	System power	40-400W
CRI	Ra70C±5	Power efficiency	91%
Power factor	0.95	LED numbers	28pcs/per module
Lifetime	More than 50000 hrs	Operating environment	-40℃~+50℃, 10%~90%RH
Storage environment	-40℃~+50℃	Junction Temperature	Less than 80℃
Supply voltage	AC176~277V; 50/60Hz	Surge voltage	10KV

• Main

Modules	System Power	LM/W (Ultra High)	Initial Lumens (Ultra High)	Product Size (mm)	Packaging Dimension (mm)	N.W. (kg)
1	40	150	6000	95*361*260	370*430*230	3.6
1	50	145	7250	95*361*260	370*430*230	3.6
1	60	140	8400	95*361*260	370*430*230	3.6
2	80	150	12000	175*361*260	410*430*230	4.7
2	100	145	14500	175*361*260	410*430*230	4.7
2	120	140	16800	175*361*260	410*430*230	4.7
3	150	145	21750	255*361*260	450*430*230	6.0
4	200	145	29000	335*361*260	490*430*230	7.3
5	250	145	36250	415*361*260	620*430*230	9.5
5	300	140	42000	415*361*260	620*430*230	9.5
6	300	145	43500	495*361*260	660*430*230	10.4
6	360	140	50400	495*361*260	660*430*230	10.4
7	350	145	50750	575*361*260	740*430*230	11.9
8	400	145	58000	655*361*260	820*430*230	13.1
8	480	140	67200	655*361*260	820*430*230	13.1

DIMENSIONS



FEATURES AND BENEFITS

• High Lumens Output

Ultra high lumens output LED chip able to fulfill the lumens requirements at lower system power. This enable more energy and cost savings to your facilities.

• Wide Photometric Selection

Wide selection of photometric to cater for different kind of applications.

• Honeycomb Briquette effect

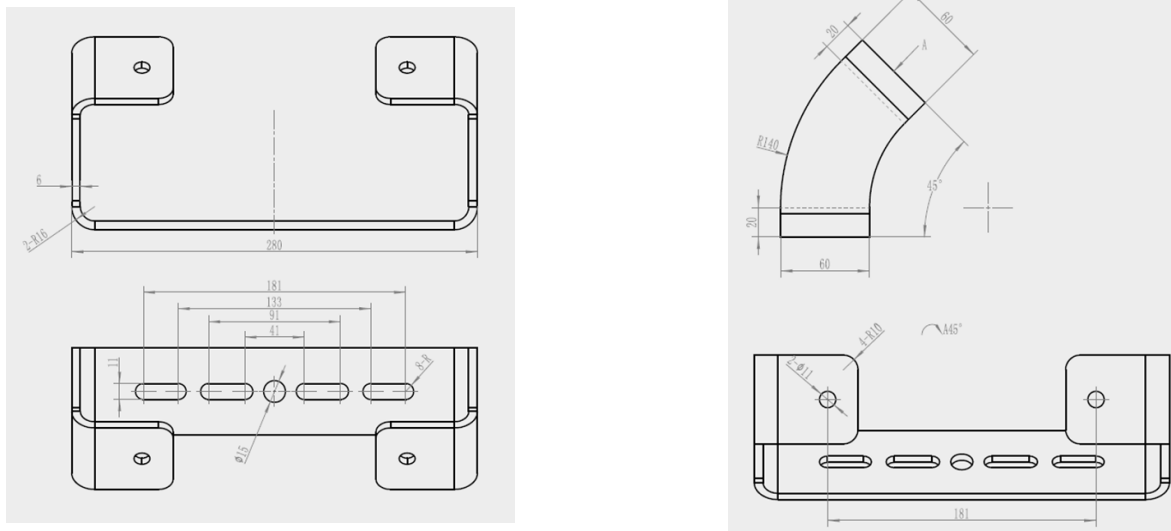
It simulates and adopts the burning principle of honeycomb briquette; it is easy to transform the original block of radiator to various modules, as well as to enable air to convect and fully pass through the gaps between modules by utilizing the honeycomb effect, thus to remove the heat rapidly, and reduce temperature by around 20℃.

• Heat dissipation of the whole structure

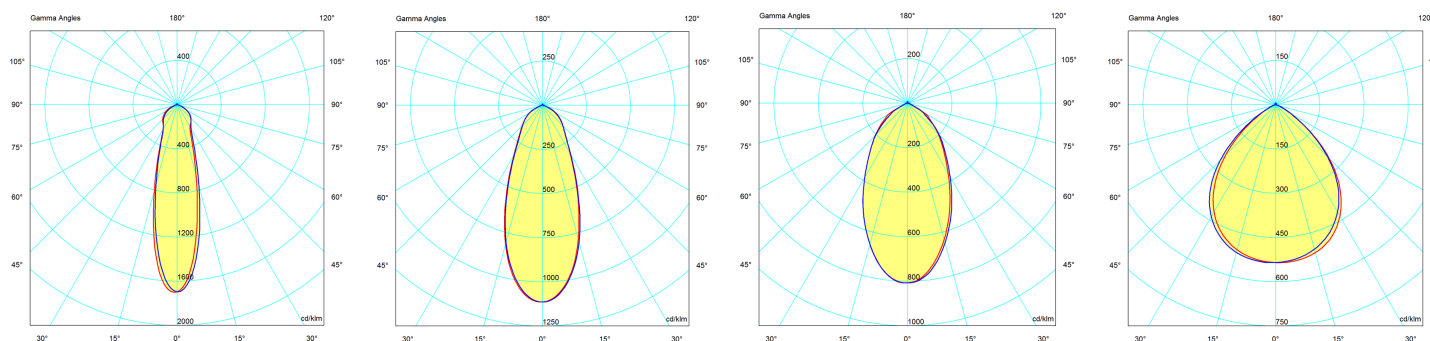
It is available to make clever use of module bracket that only play a supporting role, and to transform it to a "thermal bracket" that is capable of conducting the module's heat to the light shell as a structural part, thus to promote the cooling effect of radiator of cooling module, the design aims to fully utilize the surface area of structural parts to transfer heat to air.

SPECIFICATION — Lite-Focus Vulcan

DIMENSIONS (V Bracket)



PHOTOMETRICS

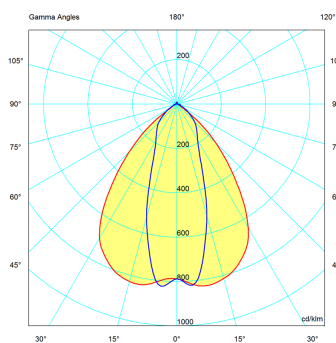


25D

40D

60D

90D



35x75D

FOR MORE DISTRIBUTIONS, PLEASE CONTACT YOUR LOCAL AGENT FOR MORE INFORMATION.

LED OPTICS: POLYMETHYL METHACRYLATE (PMMA)

ORDERING INFORMATION

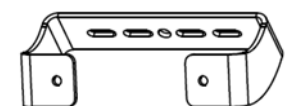
Product Family	Module	Power (W)/ module	CCT	Distribution	Color	Bracket
LFV=Lite-Focus Vulcan	1 2 3 4 5 6 7 8	40 (1)	30=3000K 40=4000K 50=5000K 57=5700K	2=25° 3=40° 4=60° 5=90° 6=35x75°	SL=Silvery BK=Black	U=U Bracket V=V Bracket
		50 (1)				
		60 (1)				
		80 (2)				
		100 (2)				
		120 (2)				
		150 (3)				
		200 (4)				
		250 (5)				
		300 (5)/(6)				
		350 (7)				
		360 (6)				
400 (8)						
480 (8)						



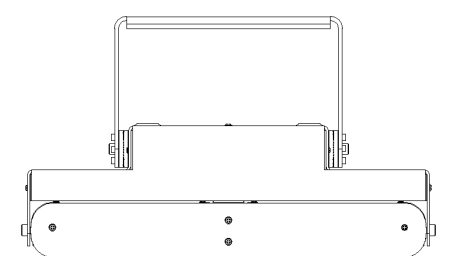
FEATURES AND BENEFITS

- **Tool-free maintenance**
It uses special structural design to achieve the manual disassembly and installation of lighting components, in consideration that the high-power lights are generally installed in higher operating environment, the operators require as few tools as possible for their convenience and security.

Bracket Option



V Bracket (Optional)



U Bracket (Standard)

Chips Powered by

PHILIPS
LUMILEDS

SPECIFICATION — Lite-Focus Vulcan

APPLICATION

It is ideal for sport field, Airport, Wall wash, Cross road, Showroom, Distribution center and other applications.

PARAMETERS

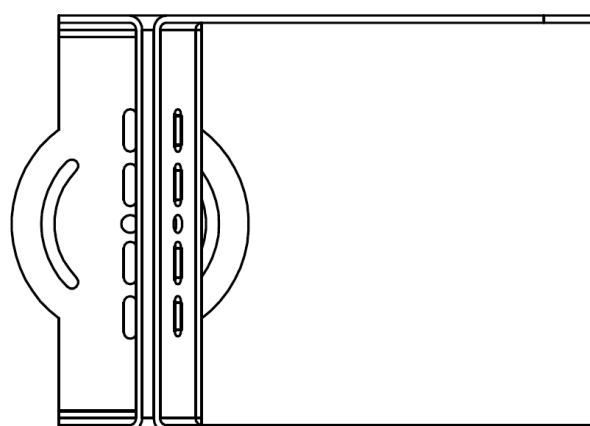
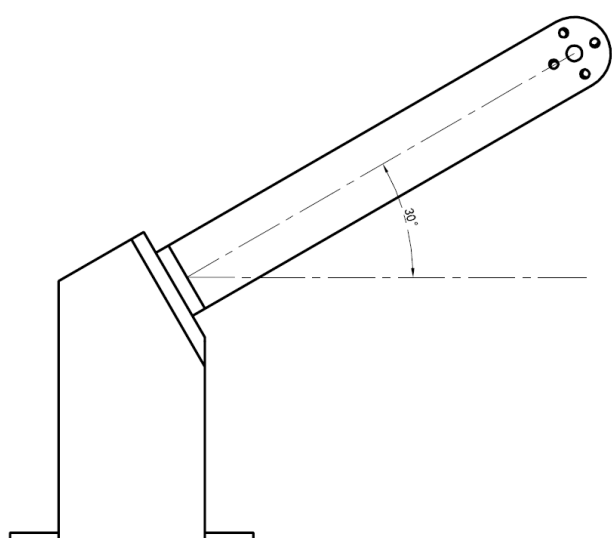
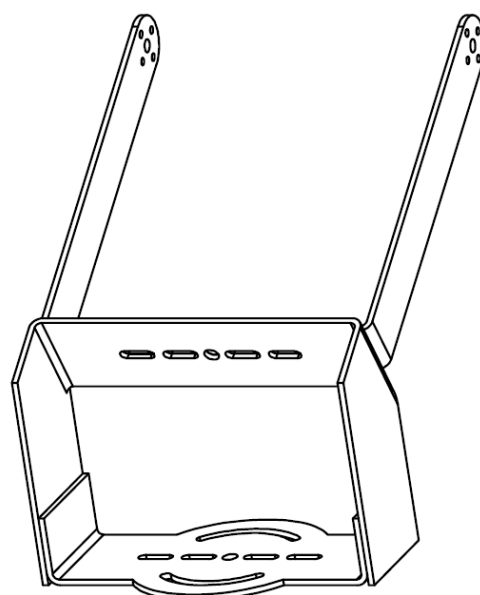
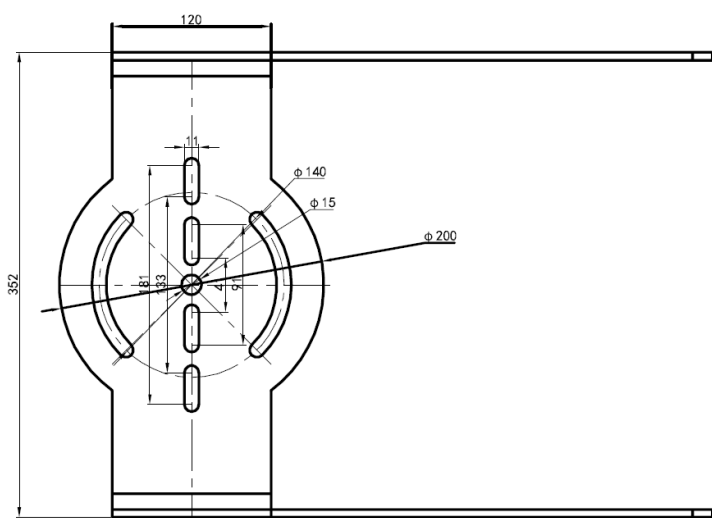
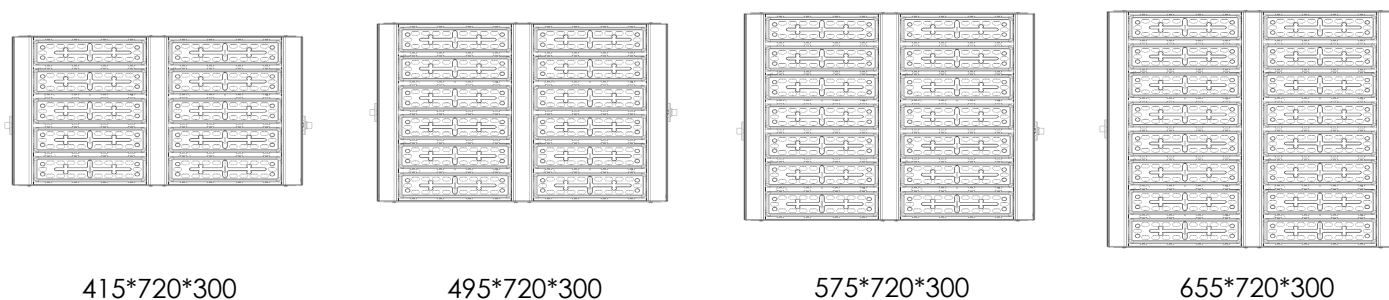
• Physical & Performance

Chip	Lumileds 5050	Housing and Body	Aluminum Alloy
Protection class	IP68 (LED Module)	Protection class	IP67 (supply power)
Single color	3000K,4000K,5000K,5700K	System power	500-960W
CRI	Ra70C ± 5	Power efficiency	91%
Power factor	0.95	LED numbers	28pcs/per module
Lifetime	More than 50000 hrs	Operating environment	-40°C~+50 °C, 10%~90%RH
Storage environment	-40°C~+50 °C	Junction Temperature	Less than 80 °C
Supply voltage	AC176~277V; 50/60Hz	Surge voltage	10KV

• Main

Modules	System Power	LM/W (Ultra High)	Initial Lumens (Ultra High)	Product Size (mm)	Packaging Dimension (mm)	N.W. (kg)
2*5	500	145	72500	415*720*300	415*800*300	28.9
2*5	600	140	84000	415*720*300	415*800*300	28.9
2*6	720	140	108000	495*720*300	495*800*300	31.3
2*7	840	140	117600	575*720*300	575*800*300	34.3
2*8	960	140	134400	655*720*300	655*800*300	36.4

DIMENSIONS



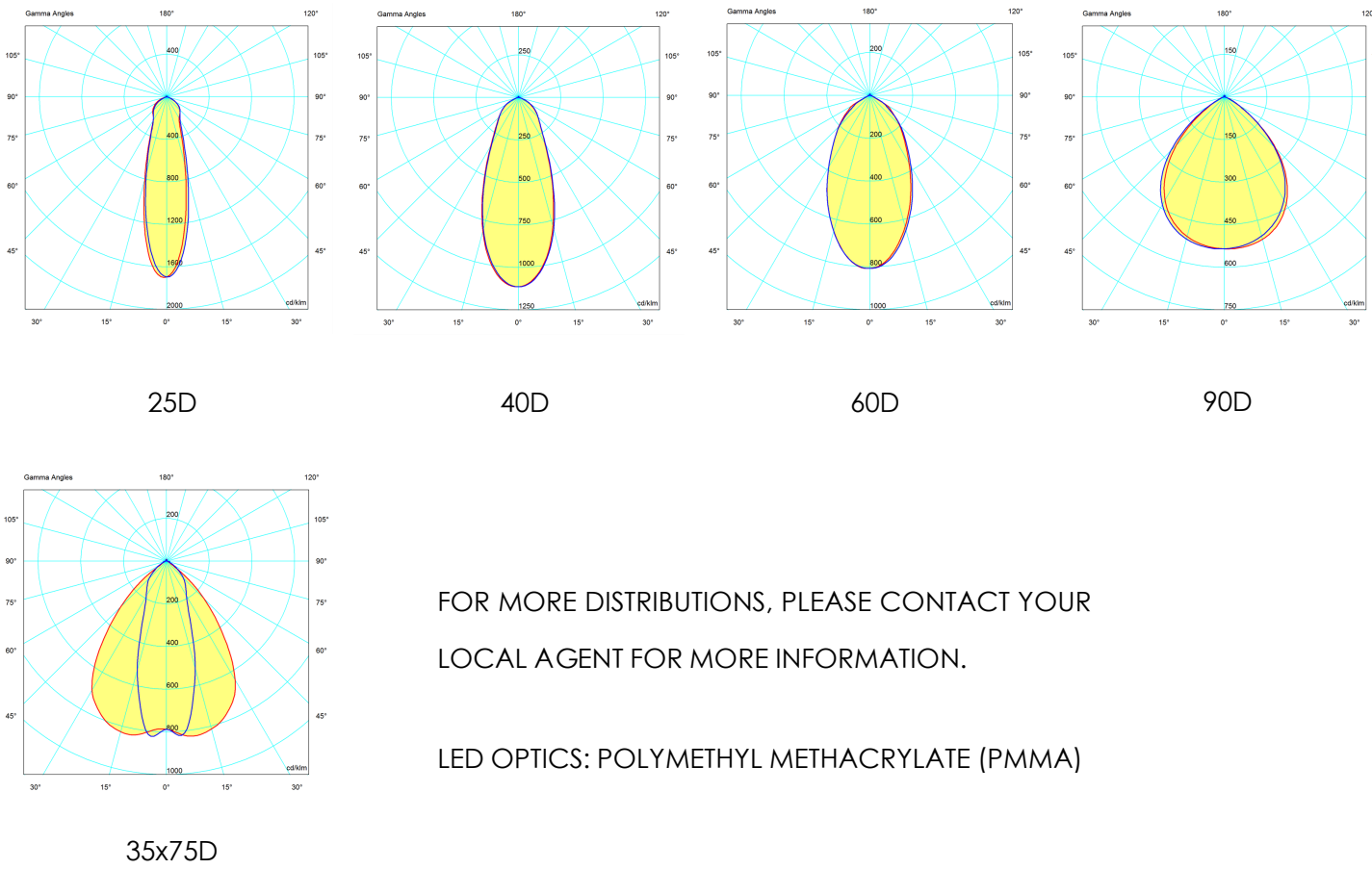
FOR 10+ MODULES FIXTURES, PLEASE CONTACT YOUR LOCAL AGENT FOR MORE INFORMATION.



FEATURES AND BENEFITS

- High Lumens Output**
 Ultra high lumens output LED chip able to fulfill the lumens requirements at lower system power. This enable more energy and cost savings to your facilities.
- Wide Photometric Selection**
 Wide selection of photometric to cater for different kind of applications.
- Honeycomb Briquette effect**
 It simulates and adopts the burning principle of honeycomb briquette; it is easy to transform the original block of radiator to various modules, as well as to enable air to convect and fully pass through the gaps between modules by utilizing the honeycomb effect, thus to remove the heat rapidly, and reduce temperature by around 20 °C.
- Heat dissipation of the whole structure**
 It is available to make clever use of module bracket that only play a supporting role, and to transform it to a "thermal bracket" that is capable of conducting the module's heat to the light shell as a structural part, thus to promote the cooling effect of radiator of cooling module, the design aims to fully utilize the surface area of structural parts to transfer heat to air.

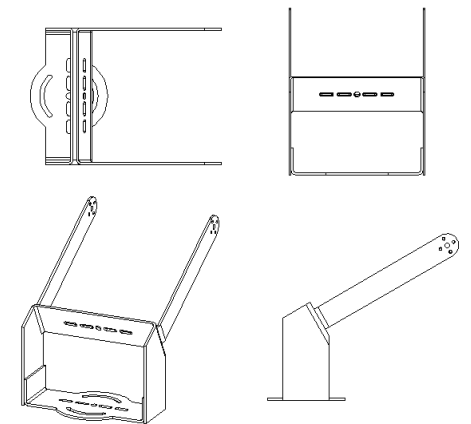
PHOTOMETRICS



FEATURES AND BENEFITS

- Tool-free maintenance**
 It uses special structural design to achieve the manual disassembly and installation of lighting components, in consideration that the high-power lights are generally installed in higher operating environment, the operators require as few tools as possible for their convenience and security.

Bracket



**V Bracket
Strengthen**

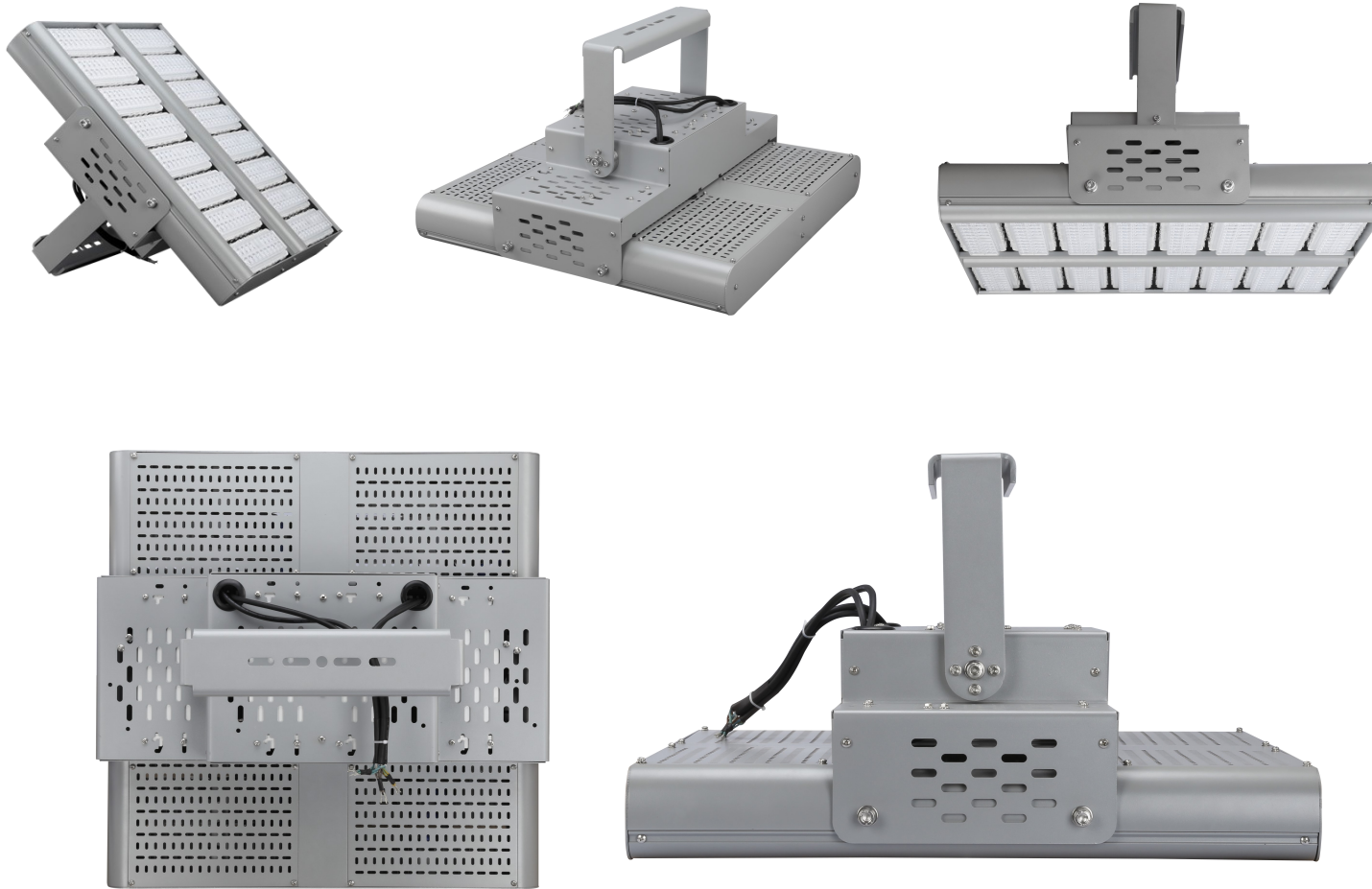
ORDERING INFORMATION

Product Family	Module	Power	CCT	Distribution	Color	Bracket
LFV=Lite-Focus Vulcan	2x5	500=500w(2x5)	30=3000K	2=25°	SL=Silvery BK=Black	U=U Bracket V=V Bracket
		600=600w(2x5)		3=40°		
	2x6	720=720w(2x6)	40=4000K	4=60°		
		2x7	840=840w(2x7)	50=5000K		
	2x8		960=960w(2x8)	57=5700K		

Chips Powered by

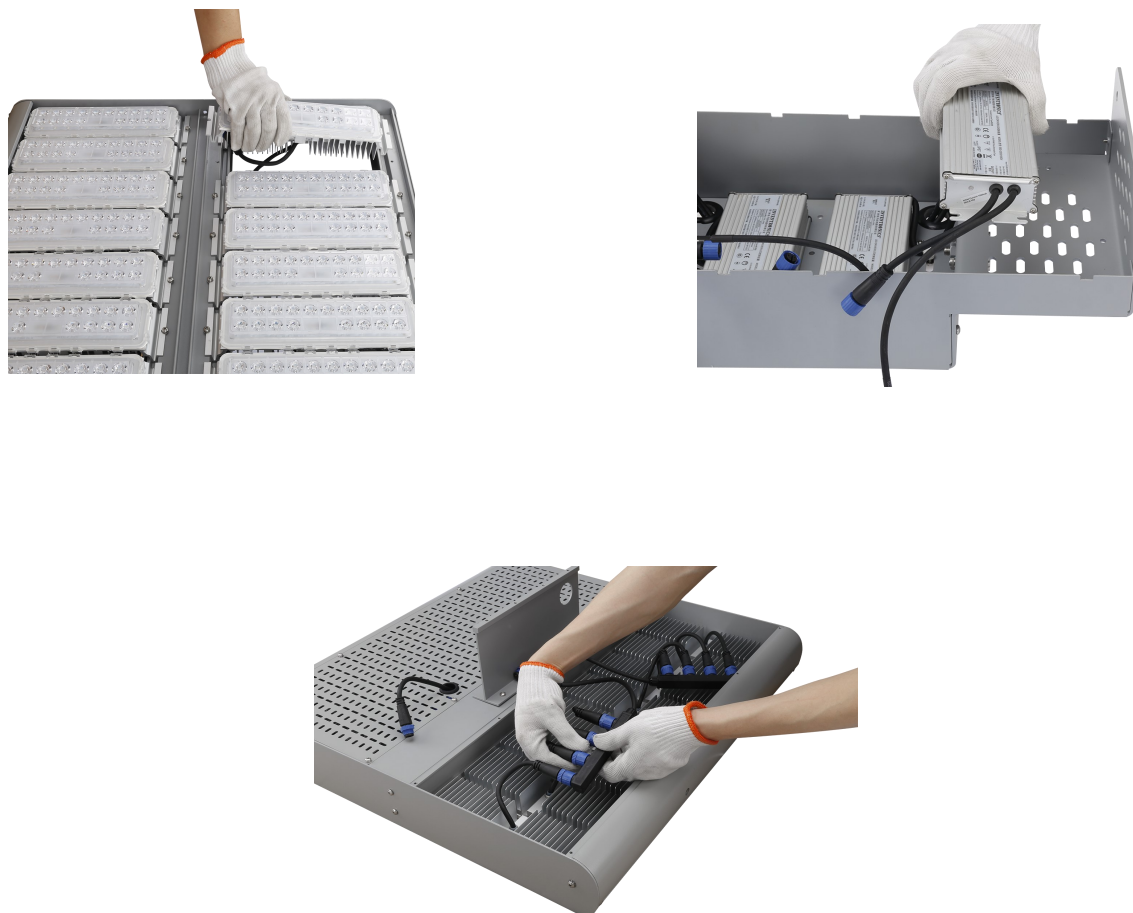
**PHILIPS
LUMILEDS**

MULTI ANGLE VIEW



***ENCLOSURE ALSO AVAILABLE IN BLACK COLOR

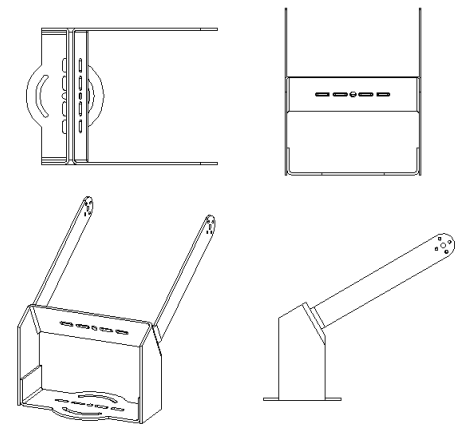
EASY MAINTENANCE



FEATURES AND BENEFITS

- Tool-free maintenance**
 It uses special structural design to achieve the manual disassembly and installation of lighting components, in consideration that the high-power lights are generally installed in higher operating environment, the operators require as few tools as possible for their convenience and security.

Bracket



**V Bracket
Strengthen**

Chips Powered by

**PHILIPS
LUMILEDS**